

Roger Cude
VP of People & Talent

Karen Chawner
Director of People and Talent

Emil Kresl
Director - Learning & Development

Frances Delacruz
Learning Architect

Jeffrey Urry
Director of Total Rewards

Marlo Kibler
Director - HR Service Center

Angie Schoolar
Director - HR Business Partnerships

Sandy Abney
Program Manager

Elida Lee
Director - Organization Effectiveness

Mary Ober
Organizational Consult.

Susan Harnden
Director - HealthPoint

Julie Gillespie
Training Specialist

Stacey Haley
Executive Assist. & HR Admin. Mgr.

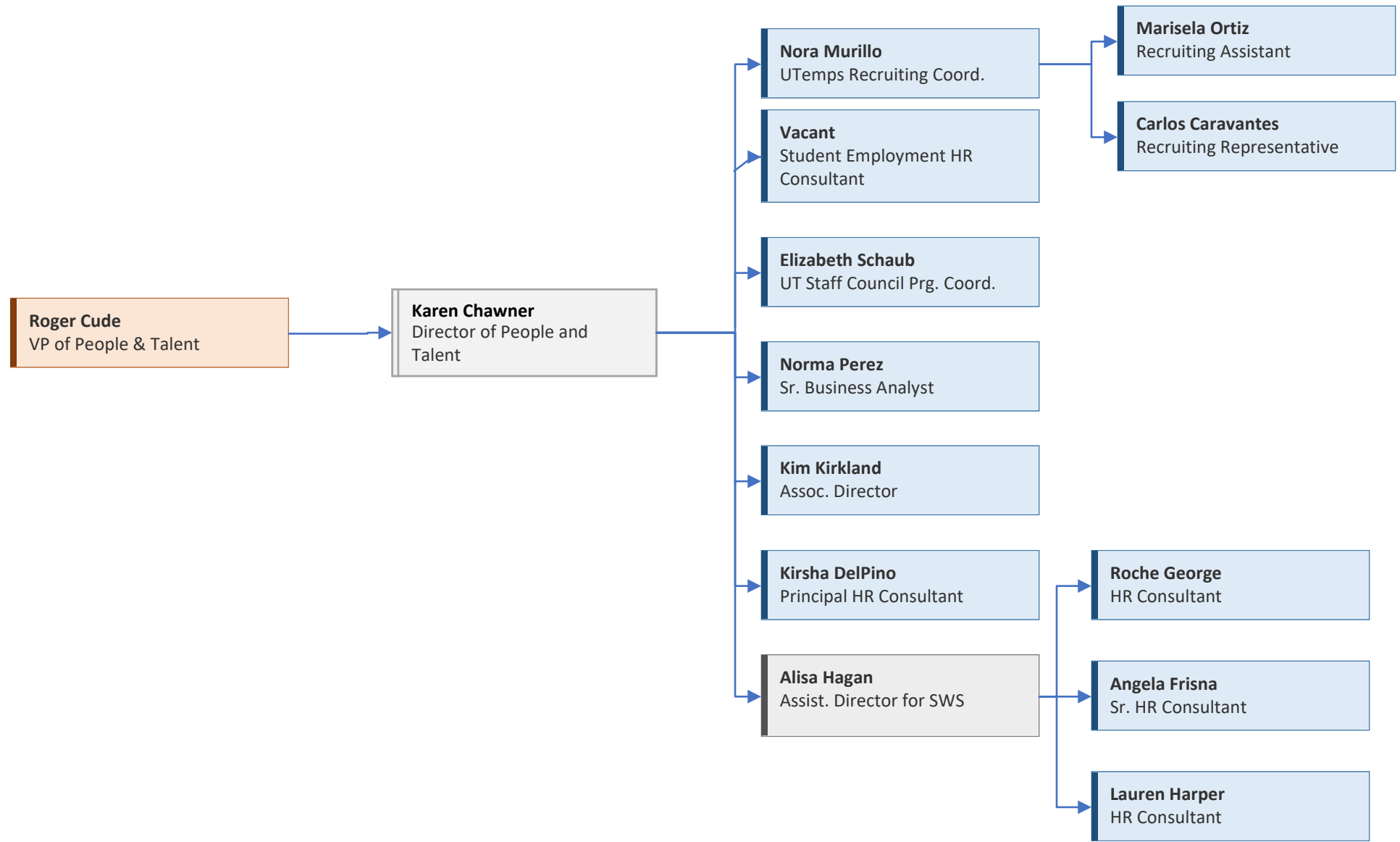
Marta Fonseca
Senior Program Mgr.

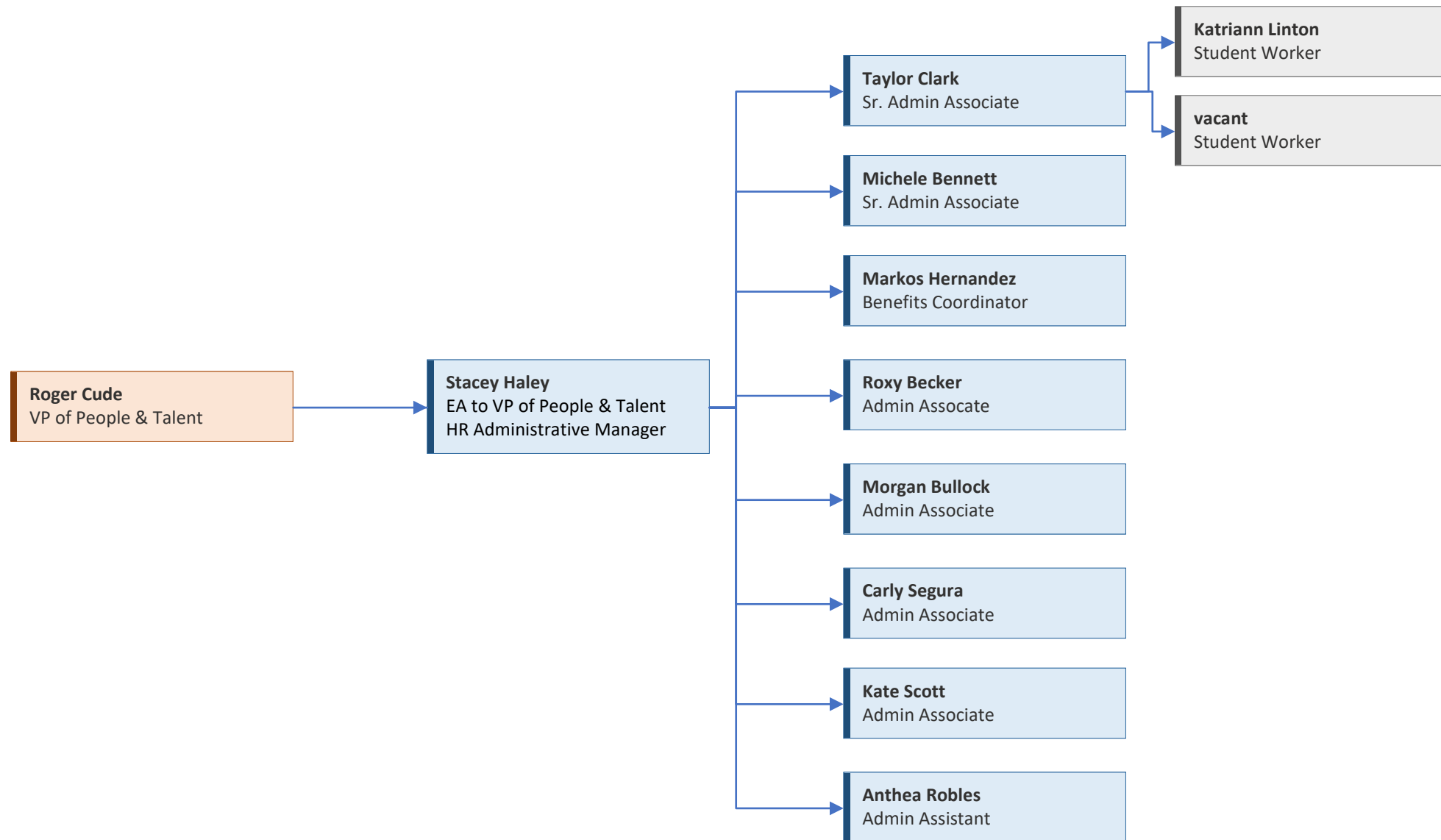
Mary Bade
Conflict Mgmt. & Dispute Resolution
Officer

Amy Wolfgang
Sr. Admin. Program Manager

Kelly Allen
Assist. Director, Data Analytics

Karen Blanchette
Principal Workforce Analytics
Consultant





Roger Cude
VP of People & Talent

Marlo Kibler
Director - HR Service Center

- Tracy Torres**
Team Lead & Trainer
- Conner Fortney**
HR Representative
- James Sorensen**
HR Representative
- Jennifer Sims**
HR Representative
- Lisa Morrison**
HR Representative
- Kristin Cloud**
Team Lead & Trainer
- Patrice Louis**
HRA III
- Yetunde Olora**
HRA III
- Lisset Taylor**
HRA III
- Shaw-nee Branch**
HRA III

